



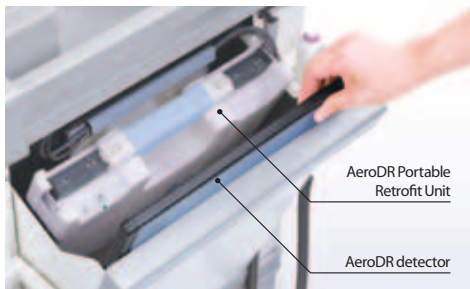
KONICA MINOLTA

AeroDR

PORTABLE SOLUTION

“AeroDR Portable Solution,” Konica-Minolta’s new product, efficiently turns your current portable X-ray equipment into a digital wireless solution.

Unlike CR, you no longer need multiple cassettes for portable X-ray procedures. In addition, use of wireless DR allows for quick positioning and reduces patient discomfort and stress. Combined with a portable console (CS-7 Portable), the X-ray image can be checked immediately after the exposure. If you need to re-expose, you can take care of it right there on the spot. With our roaming panel technology, a single panel can be used anytime anywhere, not only for portable X-ray procedures but also for other purposes such as general radiology procedures, in emergency rooms or during surgeries in operating rooms.



What is the AeroDR Portable Retrofit Unit ?

The AeroDR Portable Retrofit Unit has been developed to easily and inexpensively turn your current portable X-ray equipment into a digital wireless solution. This Unit has compact dimensions (384mm x 384mm x 72mm) and is small enough to be stored in the cassette storage space of your current portable X-ray equipment. The AeroDR Portable Retrofit Unit allows for an entirely new way of performing portable X-ray procedures.

Control Station CS-7 Portable

CS-7 Portable features the same GUI as our CS-7 Control Station, a familiar tool used for AeroDR to ensure the same outstanding usability. You can preview an X-ray image within three seconds after exposure and check the result right on the spot. To allow for even more flexibility, CS-7 Portable can work completely wireless. Using optional fittings, CS-7 portable can be attached to your current portable X-ray equipment.



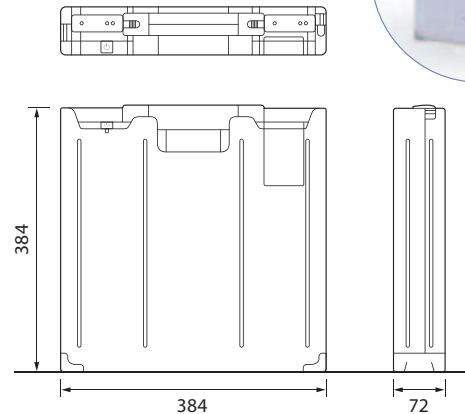
Supported models : GE's AMX-4 and AMX-4 Plus, Siemens' Mobilett
* For other models please contact your Konica Minolta sales representative for more details.

The essentials of imaging

AeroDR Portable Retrofit Unit

- Weight
6.3 kg
- Operating Time
Typically 11 hours
- Preview Display Speed
Approx. 3 sec.
- Cycle Time
Approx. 17 sec.

Outer Dimensions

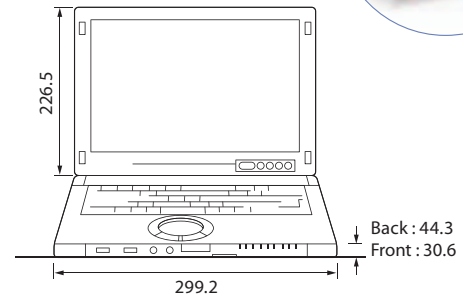


Unit : mm 1/11 scaled

Control Station CS-7 Portable

- Operating System
Windows® 7 Professional (32bit) SP1
- CPU
Core™ i5-2520M vPro™ Processor 2.50GHz
- Memory
4GB
- Weight
Approx. 1.49 kg (1 battery)
- User Interface
Multi touch + digitizer screen
- Operating Time
Approx. 7 hours (1 battery)
Approx. 14.5 hours (2 batteries)
- Charging Time Empty to Full
Approx. 2.5 hours turned off, 3 hours while turned on (1 battery)
Approx. 3 hours turned off, 4 hours while turned on (2 batteries)
- Software Features
HIS/RIS patient data access via DICOM Modality Worklist,
advanced image processing, image review, image transmission,
portable application and other major CS-7 functions.

Outer Dimensions



Unit : mm 1/8 scaled

- ★ Specifications are subject to change without prior notice.
- ★ The construction of the hardware varies by country.
- ★ GE is a trademark of General Electric company.
Siemens is a trademark of Siemens Corporation.



KONICA MINOLTA

KONICA MINOLTA MEDICAL & GRAPHIC IMAGING EUROPE B.V.

Frankfurtstraat 40, 1175 RH Lijnden, The Netherlands

Distributed by: